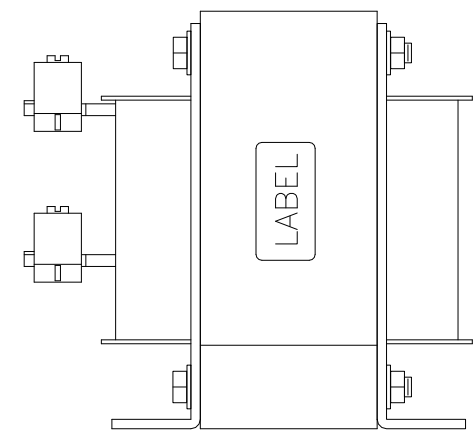
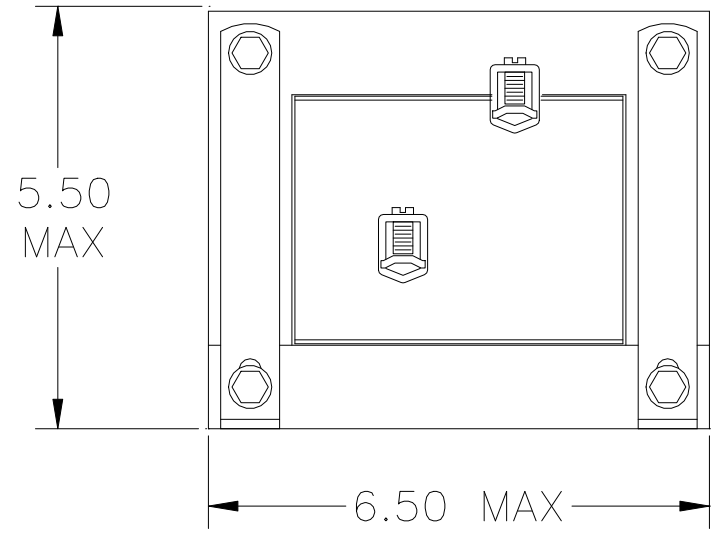
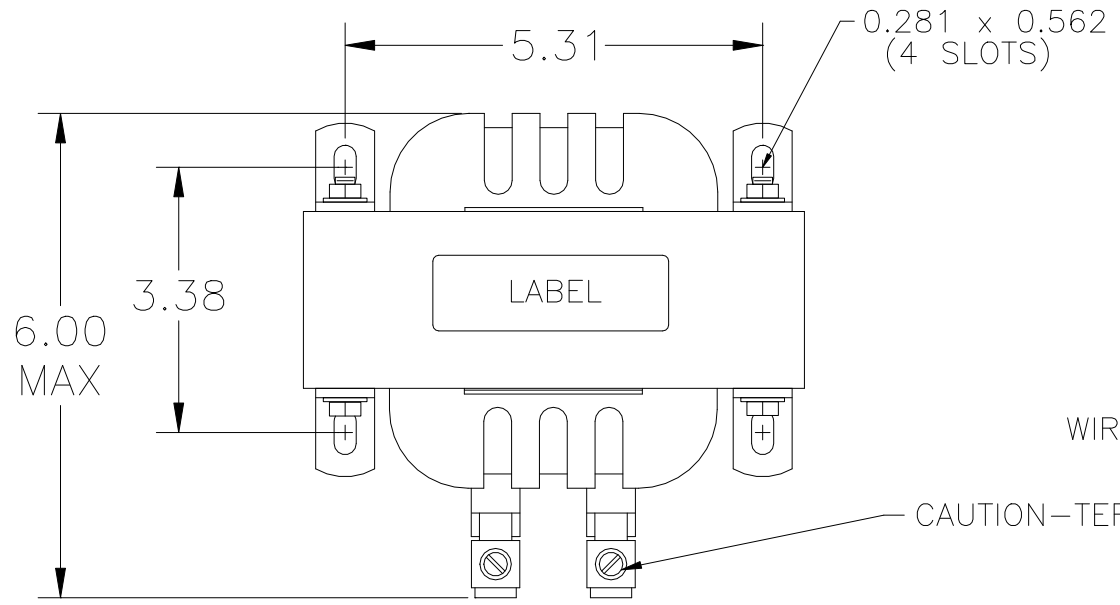


INDUCTANCE	LOSSES	WEIGHT
1.2 mH	32 Watts	22 Lbs

NO.	CHANGE DESCRIPTION	BY	DATE	C'K'D
03	REVISED PER ECR 7175, ADDED CD	RS	8/23/10	

FILE:



UNLESS OTHERWISE SPECIFIED, DIMENSIONS ARE IN INCHES [mm] AND TOLERANCES ARE:

DECI.	FRAC.
ANGLES	DRILLED HOLES

PART NAME:	DC LINK CHOKE
DESCRIPTION:	OUTLINE DIMENSION
FINISH:	

MTE CORPORATION MEMONONEE FALLS, WISCONSIN			
CD 62RB004			REV. 03
SCALE	NTS	DATE 12/11/98	C'K'D
REF.	DR. BY	AJU	APP'D